

## Specification sheet LX 1889

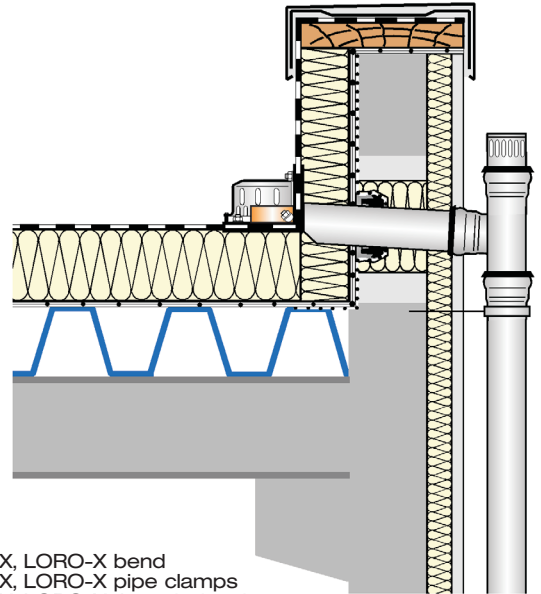
# Parapet drainage system Series 43 Parapet direct without penetrating the roof

### Emergency drainage

#### Gravity flow

#### Silent Power

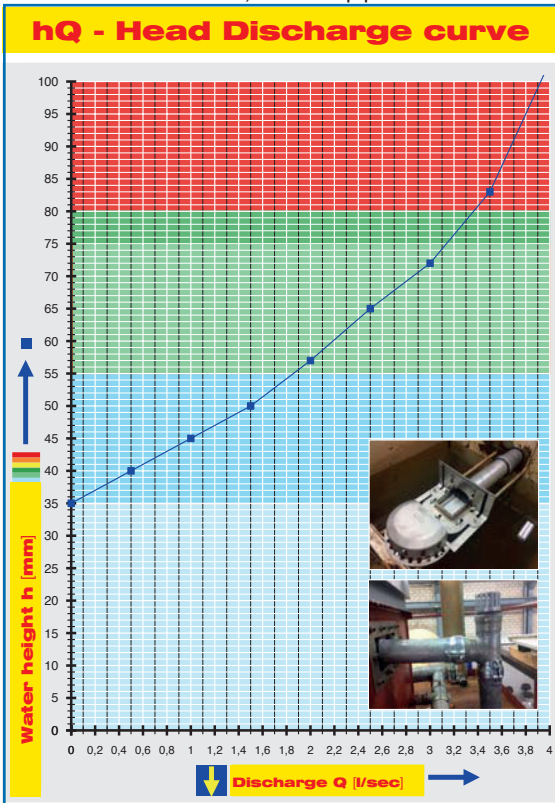
<b>Discharge rate:</b>	<b>3,1 l/sec</b>
<b>Water height:</b>	<b>75 mm</b>
<b>Roof penetration:</b>	<b>0 mm</b>
<b>Diameter:</b>	<b>DN 100</b>
<b>LX-Number:</b>	<b>LX 1889</b>
<b>Weir height:</b>	<b>35 mm</b>
<b>Drain:</b>	<b>ventilated</b>
<b>Downpipe:</b>	<b>ventilated</b>
<b>Downpipe height:</b>	<b>variable</b>
<b>Drainage:</b>	<b>In sewer</b>
<b>Flange form:</b>	<b>Clamping flange 90°</b>



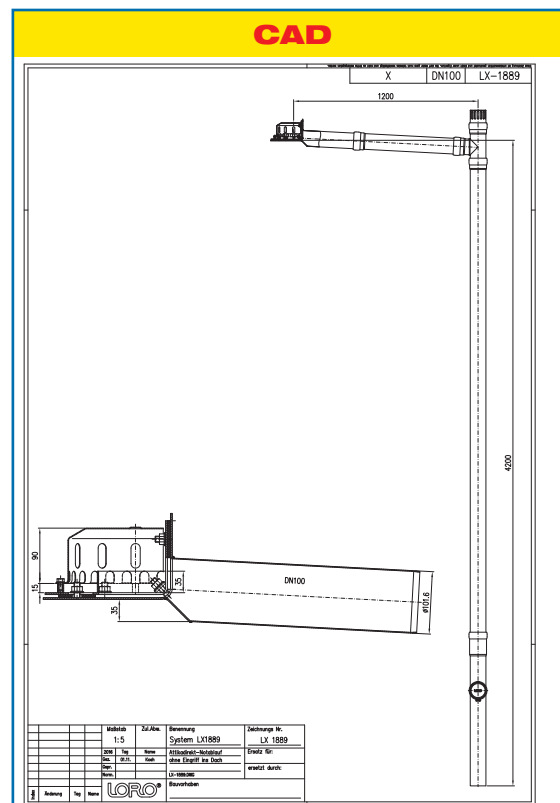
#### LX 1889 Piece list

1 x Art.-No. 01332.100X, parapet emergency drain  
1 x Art.-No. 13236.100X, LORO-X sliding flange  
1 x Art.-No. 00200.DDOX, LORO-X branch  
1 x Art.-No. 13217.100X, LORO-X vent piece  
1 x Art.-No. 01011.100X, LORO-X pipe with one socket

1 x Art.-No. 00320.100X, LORO-X bend  
3 x Art.-No. 00975.100X, LORO-X pipe clamps  
3 x Art.-No. 09604.200X, LORO-X threaded rods  
4 x Art.-No. 00911.100X, LORO-X sealing elements  
1 x Art.-No. 00986.000X, LORO-X lubricant



#### Systempower



#### Systemshape

<b>Water height</b>	mm	15	20	25	30	35	40	45	50	55	60	65	70	75	80	85	90	95	100
<b>Discharge</b>	l/sec	-	-	-	-	-	0,5	1,0	1,5	1,9	2,2	2,5	2,9	3,1	3,4	3,5	3,7	3,8	3,9
<b>Silent</b>																			

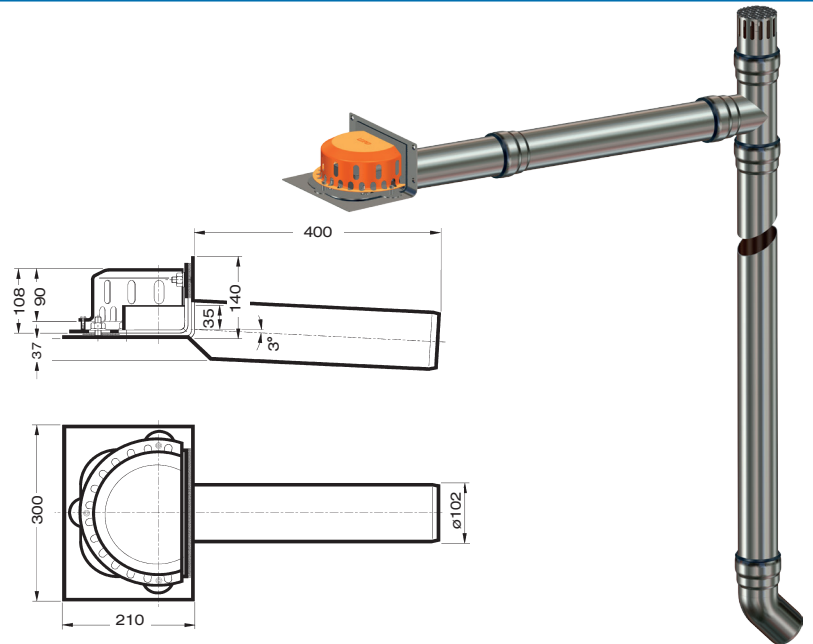
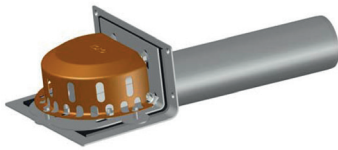
**LORO-X Parapet direct drain, without penetrating the roof**

**DN 100**

**LX1889-1X**

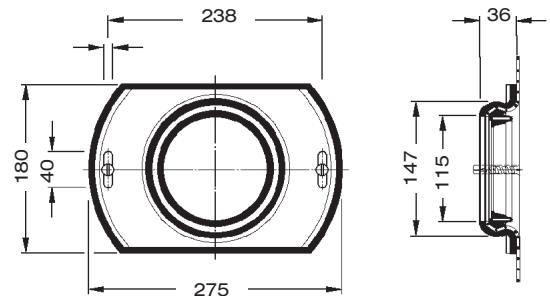
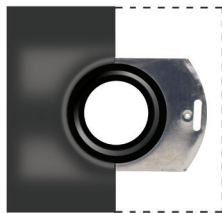
Drain Art.-No. 01332.100X  
Weight: 5,6 kg

**with clamping flange 90°**  
for plastic roofing sheets



**LORO-X Sliding flanges**

with pre-installed connection sleeve for vapor barrier made of bituminous or plastic- roofing sheets (please indicate manufacturer and material of the sealing sheet to be attached), made of galvanized steel, including fastening screws  
Article no. 13236.100X  
Weight: 1,7 kg



**Heat tracing:** Lorowerk recommends to check all drains and pipes with regard to their frost-sensibility. Where necessary, these parts should be upgraded with heat tracing.